



LEFROY BROOKS

1 8 2 8 T R O U T M A N S T R E E T
R I D G E W O O D N E W Y O R K N Y 1 1 3 8 5 U S A
T: +1(718) 302 5292 F: +1(718) 302 4177

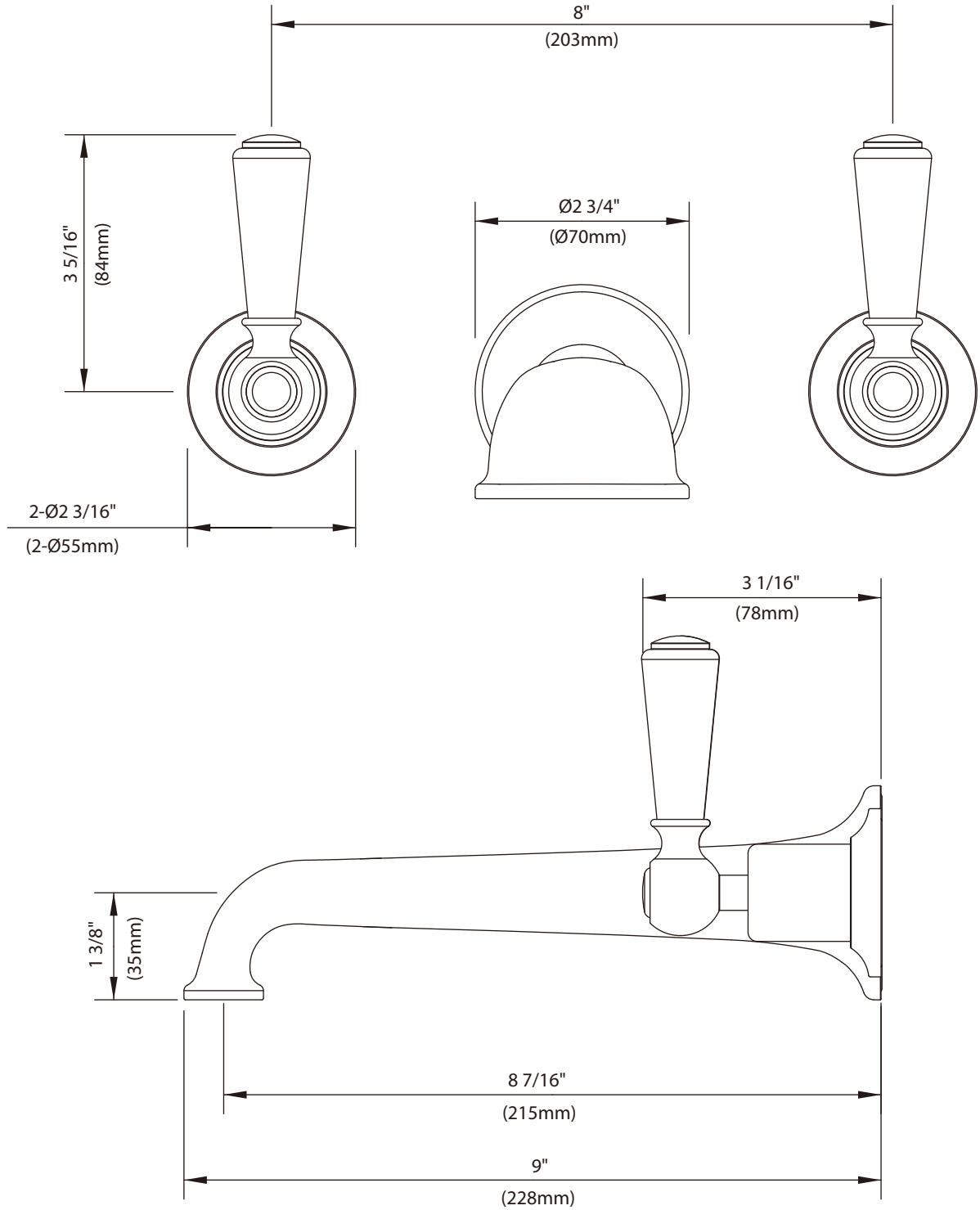
CW-2401

WHITE LEVER 3-HOLE WALL-MOUNTED BATH FILLER TRIM ONLY,
TO SUIT R1-4036 ROUGH

DIMENSIONAL DATA SHEET

DATE: 22 MAY 2014

No: A66F417



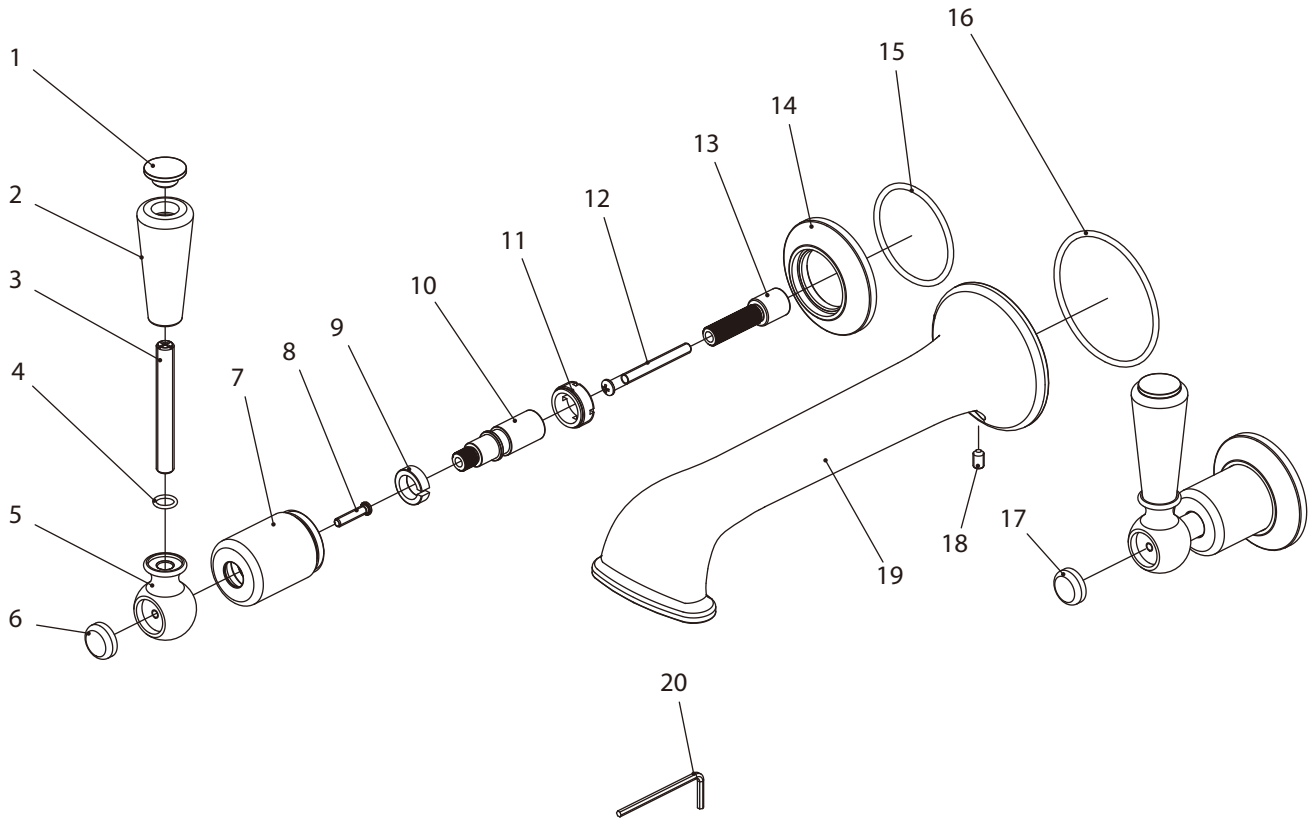
COPYRIGHT © LBIP LTD 2012. ALL RIGHTS RESERVED.

DIMENSIONS IN INCHES & MILLIMETRES

WHILST EVERY EFFORT IS MADE TO ENSURE THE ACCURACY OF THESE DATA SHEETS THEY ARE SUBJECT TO CHANGE WITHOUT NOTICE AS PART OF THE COMPANY'S PRODUCT DEVELOPMENT PROCESS

CW-2401

WHITE LEVER 3-HOLE WALL-MOUNTED BATH FILLER TRIM ONLY, TO SUIT R1-4036 ROUGH



1	Lever cap (109376)	8	Screw (008486)	15	O-ring (004045N)
2	Lever (108924)	9	Clip (012242)	16	O-ring (048061)
3	Screw (017094)	10	Stem extension (110368)	17	Ceramic cap (C) (129313C)
4	O-ring (072060N)	11	Adaptor (057507)	18	Set screw (075208)
5	Lever seat (205144)	12	Screw (008488)	19	Spout (118052)
6	Ceramic cap (H) (129313H)	13	Stem extension (110490)	20	Allen key (031000)
7	Canopy (018294)	14	Escutcheon (034209)		

Standards

IAPMO/cUPC Listed
Meets A112.18.1

Please note :

Final achievable flow rate is dependent on the outlets fitted, see relevant outlets (spouts, roses, sprays) for fully assembled product flow rate.